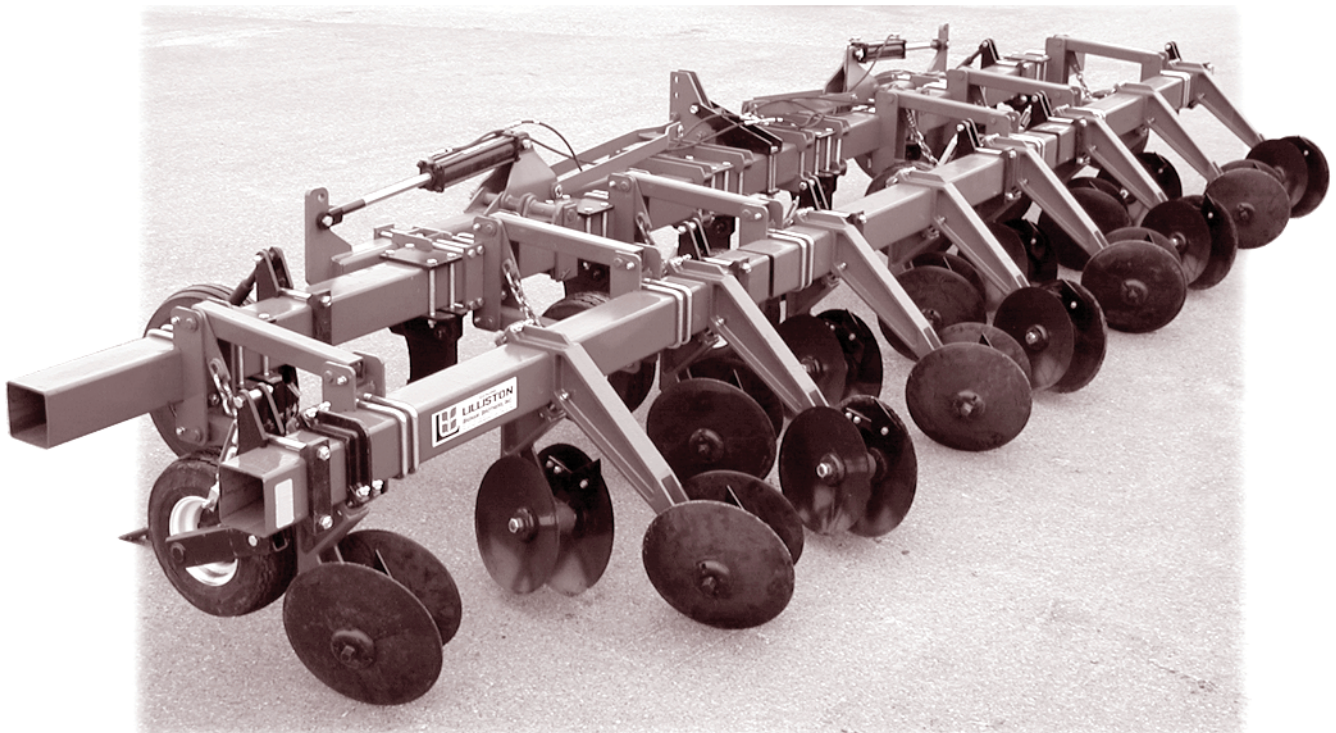


**Disc Bedder  
Ripper Bedder  
Repair Parts Catalog**



**Call Toll Free: 1-800-692-4449 or FAX: 1-806-745-1082**

**Visit Our Web Site: [www.bighambrothers.com](http://www.bighambrothers.com)**

**BIGHAM BROTHERS, INC.**

**806-745-0384 • 705 E. Slaton Road • P.O. Box 3338 • Lubbock, Texas 79452**

---

## Page Index

### Tool Bars & Hitches

- 1 Tool Bars (7x7") ..... 1993-Current
- 2 Hitch Parts Diagram (Disc Bedder) .. 1993-Current
- 3 Heavy Duty Hitch ..... 1993-Current
- 4 Center Tool Bar, Folding..... 1993-Current
- 5 Wing, Folding Tool Bar ..... 1993-Current
- 6 Hydraulic Diagram - Folding Tool Bar.... 1993-Current
- Pipe Stands..... 1993-Current

### Parallel Linkage

- 7 Parallel Linkage Assembly ..... 1993-Current

### Disc Gangs, Arms

- 8 Disc Gangs, Arms, Scrapers..... 1993-Current

### Ripper Shank, Clamp

- 9 Ripper Shank and Clamp..... 1993-Current

### Gauge Wheels

- 10 Front Gauge Wheel ..... 1993-2000
- 11 Front Gauge Wheel ..... 2001- Current
- 12 Rear Gauge Wheel ..... 1993-2000
- 13 Rear Gauge Wheel ..... 2001- Current

### Row Markers

- 14 Row Marker, Rigid..... 1993-Current
- 15 Row Marker, Folding ..... 1993-Current
- 16 Marker Disc Options, Repair Parts ..... 2002
- 17 Row Marker Hydraulic Diagrams ..... 1993-Current
- 18 Solenoid Valve, Parts & Mounting..... 1985

## Alphabetical Index

### A

Arms, Mount (Disc Gang) 8

### C

Center Section, Folding Tool Bar  
4

Clamp, Ripper 9

### D

Disc Gang Assemblies, Arms 8  
Disc Options, Row Marker 16  
Depth Band, Row Marker Disc  
(Optional) 16

### F

Folding Row Markers 15  
Folding Tool Bar, Center 4  
Folding Tool Bar, Wing 5  
Folding Tool Bar - Hydraulic  
Diagram 6  
Front Gauge Wheels 10, 11

### G

Gauge Wheels, Disc Bedder and  
Ripper Bedder (Front)  
Model Year 1993-2000 10  
Model Year 2001-Current 11

Gauge Wheels; Ripper Bedder  
(Rear)

Model Year 1993-2000 12  
Model Year 2001-Current 13

### H

Hitch Assy., Disc Bedder 2  
Hitch Assy., Heavy Duty -Disc  
Bedder and Ripper Bedder 3  
Hydraulic Diagram - Folding Tool  
Bar 6  
Hydraulic Diagrams-Row Marker  
Independent Operation 17  
Solenoid Operation 17

### L

Linkage Assy., Parallel 7

### N

Notched Disc (Optional)  
Row Marker 15

### P

Parallel Linkage Assy. 7  
Pipe Stand- 7x7" Tool Bar 6

### R

Rear Gauge Wheels 12, 13  
Ripper Shank and Clamp Assy. 9  
Row Marker; Folding 15  
Row Marker Hydraulics- Solenoid  
Mount 18  
Row Marker; Rigid 14

### S

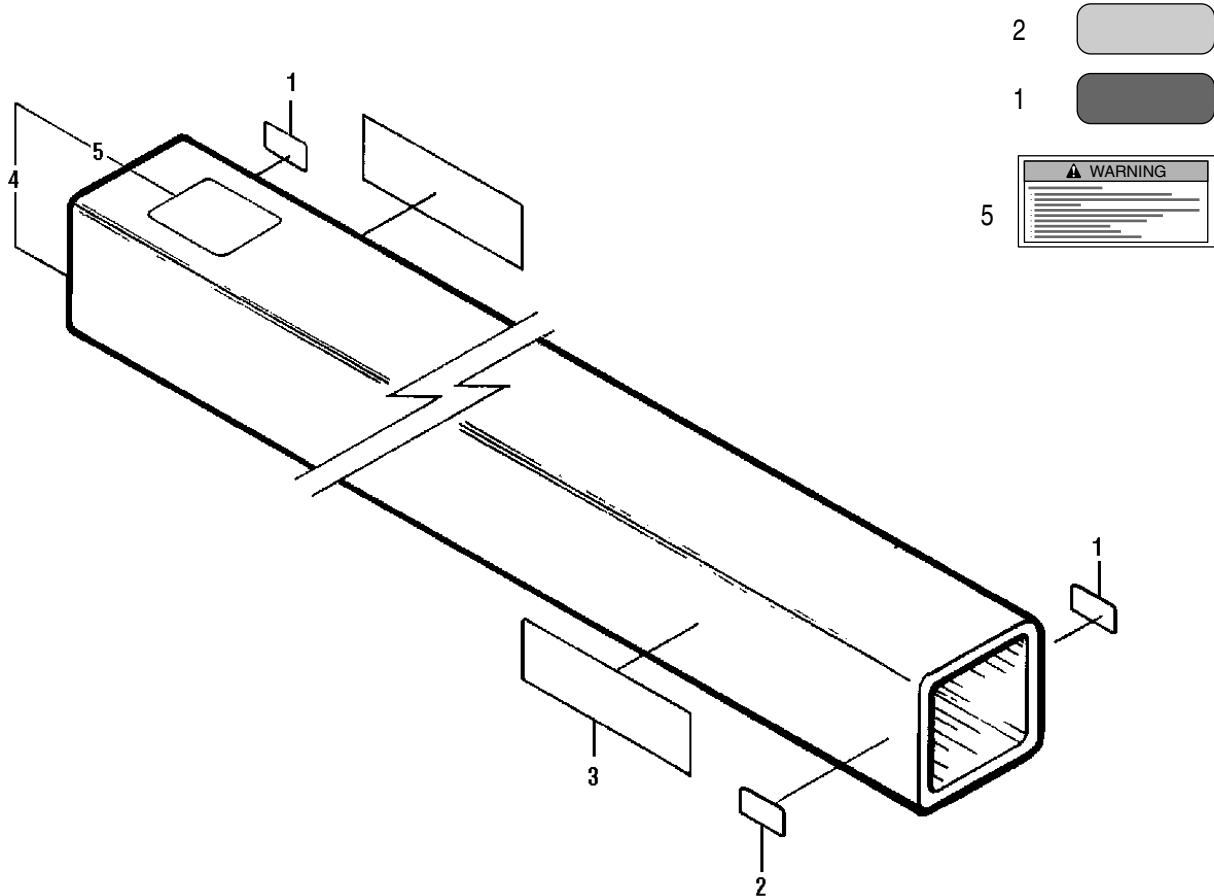
Scrapers, Disc Gang 8  
Shank, Ripper 9  
Solenoid Valve - Internal Parts 18  
Solenoid Valve - Mounting Assy.  
18

### T

Tool Bars 1

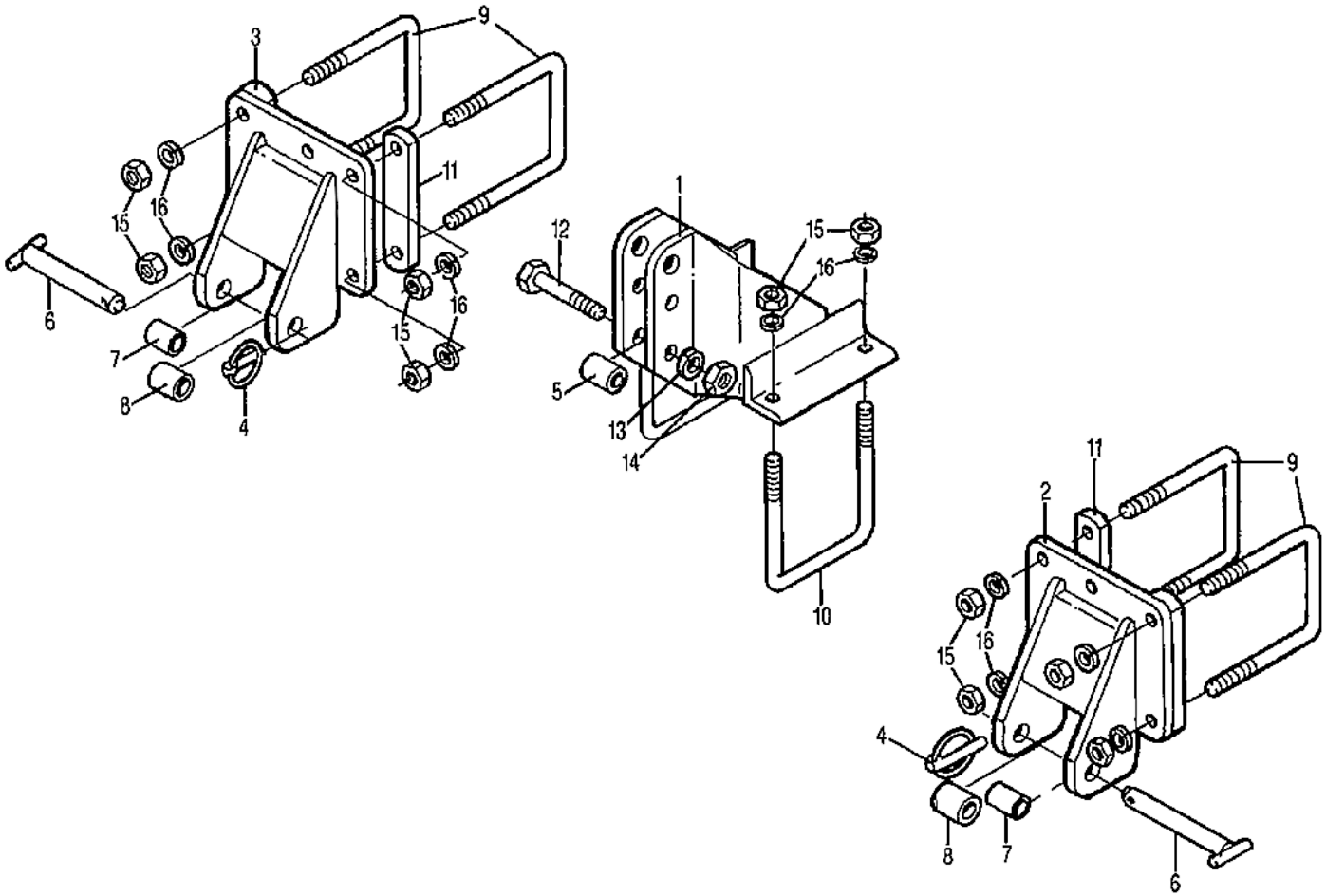
### W

Wing, Folding Tool Bar 5



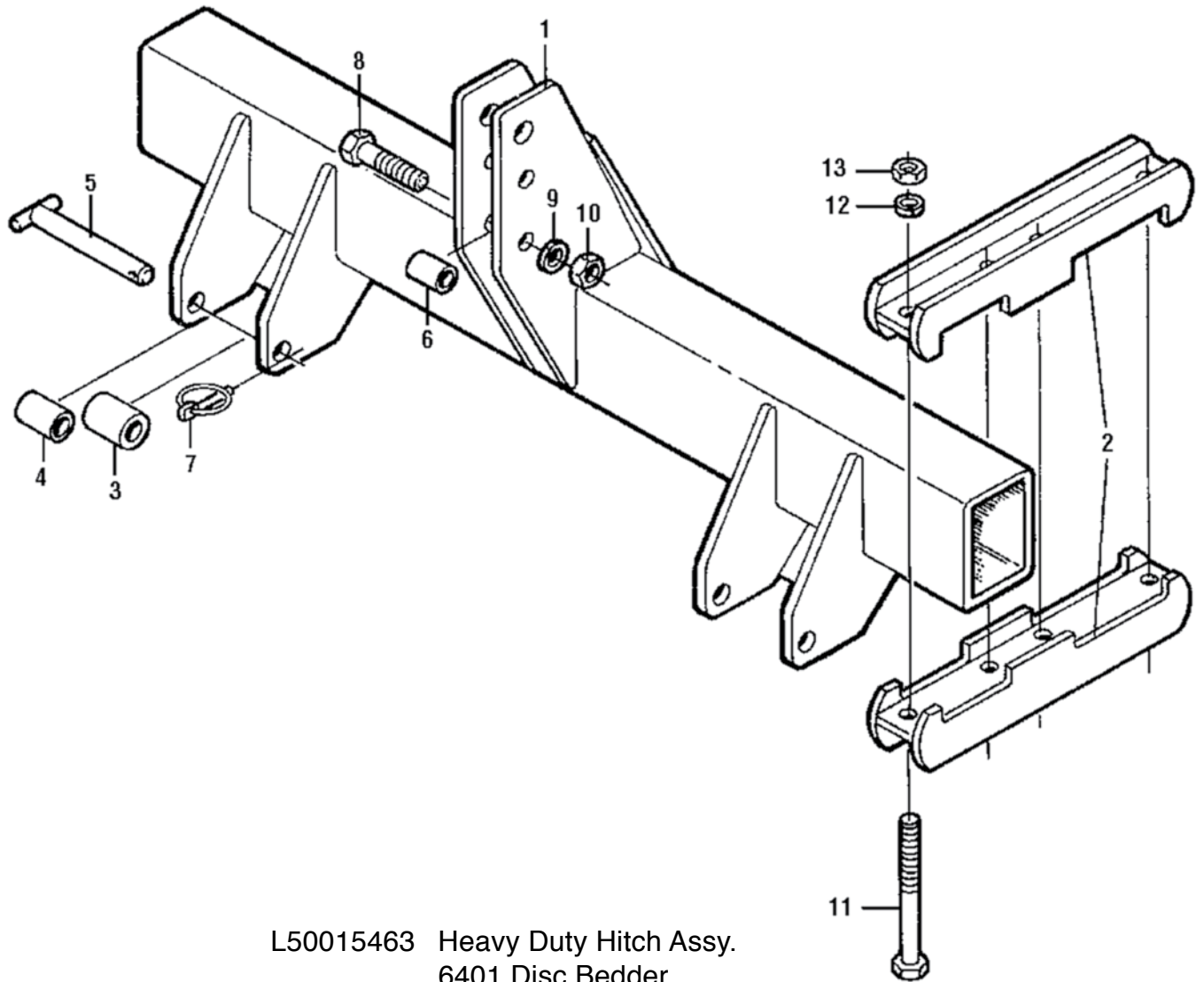
7" x 7" Square Tool Bars  
 6401 Disc Bedder  
 6402 Ripper Bedder

Ref #	Part Number	Description	Qty
1	399-055	Red Reflector	2
2	399-054	Amber Reflector	1
3	399-064	Decal, Lilliston 16 x 4" Red/Blk	2
4	L50012559	Tool Bar, 7x7x1/4 100"	1
	L50015090	Tool Bar, 7x7x1/4 190"	1
	L50014518	Tool Bar, 7x7x1/4 210"	1
	L50015091	Tool Bar, 7x7x1/4 250"	1
	L50015092	Tool Bar, 7x7x3/8 330"	1
	L50016236	Tool Bar, 7x7x3/8 344"	1
5	399-047	Warning Decal	1



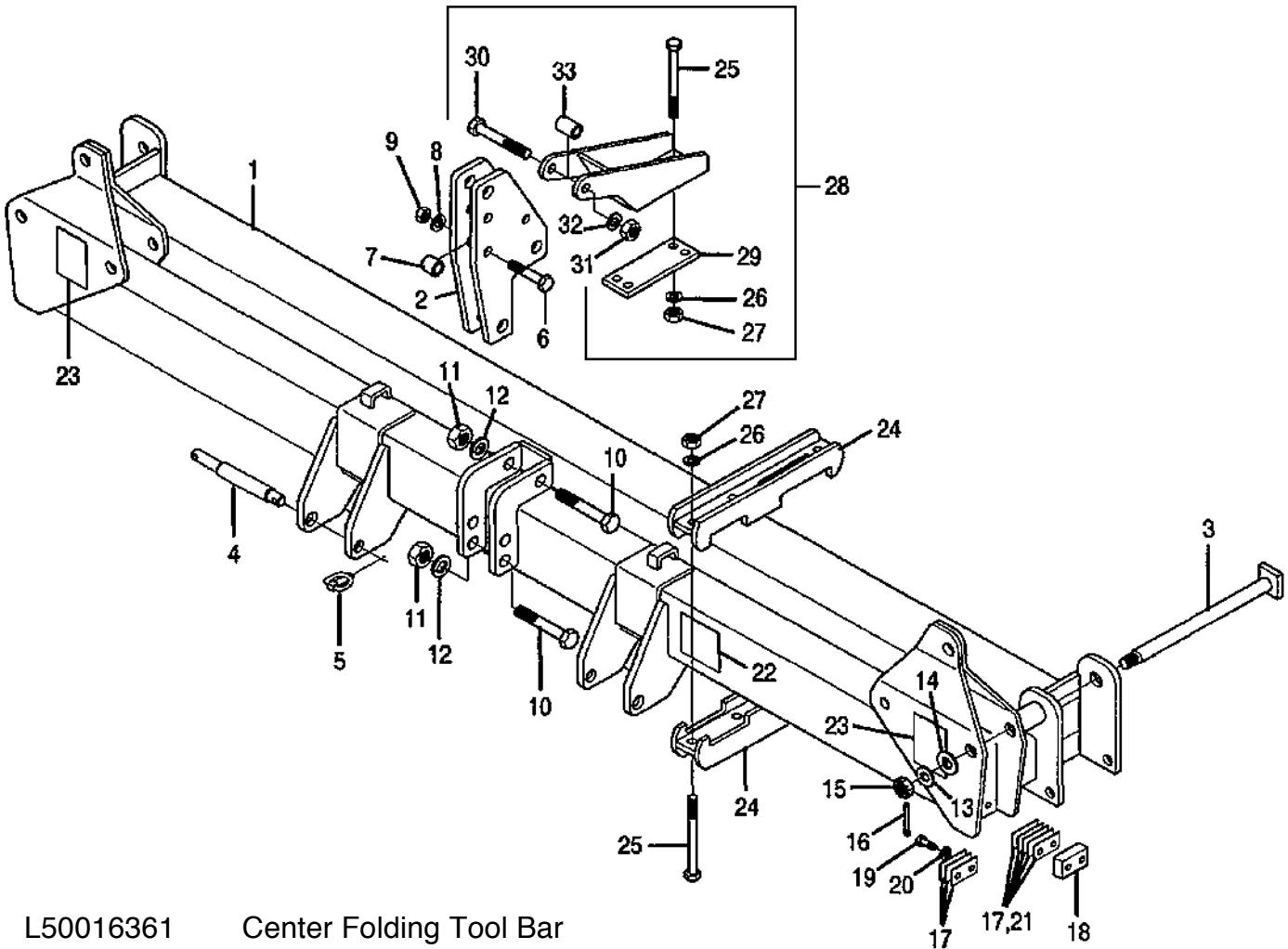
L50014903 Three Point Hitch Assy.  
6401 Disc Bedder

Ref #	Part Number	Description	Qty	Ref #	Part Number	Description	Qty
1	L50014908	Mast Weldment	1	9	L50014905	U-Bolt, Hitch 7/8"	4
2	L50014907	Left Hand Hitch	1	10	610-0047	U-Bolt, Hitch 7/8"	2
3	L50014906	Right Hand Hitch	1	11	L50014904	Spacer	2
4	617-105	Klik Pin	2	12	602-1618Z	Capscrew 1 x 4-1/2" Gr. 5	1
5	L6404018	Bushing	1	13	615-1601Z	Lockwasher 1"	1
6	L6408029	Lift Pin	2	14	611-1601Z	Hex Nut 1"	1
7	L7604041	Category II Bushing	2	15	611-1401Z	Hex Nut 7/8"	12
8	L7604042	Category III Bushing	2	16	615-1400Z	Lockwasher 7/8"	12



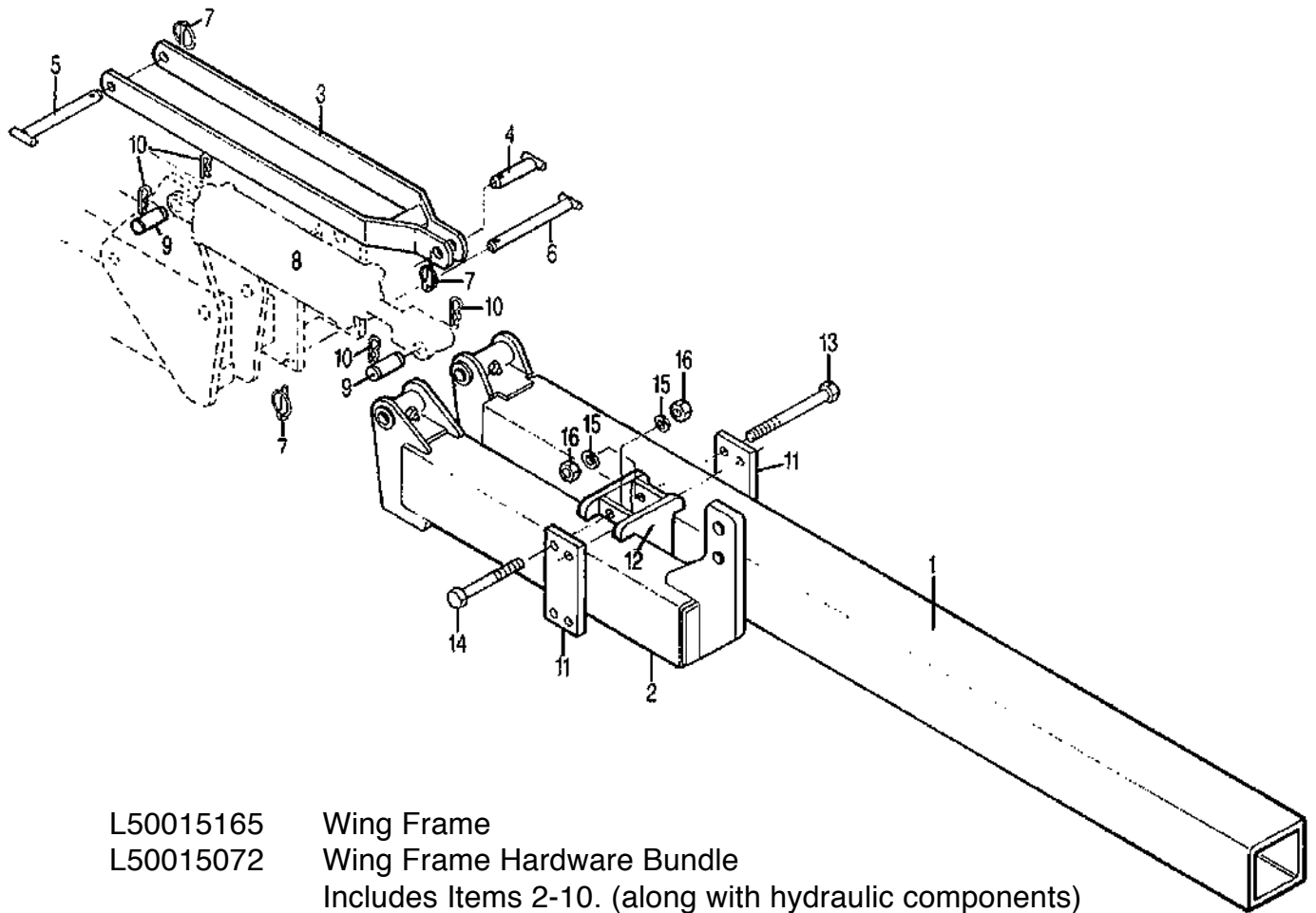
L50015463 Heavy Duty Hitch Assy.  
6401 Disc Bedder  
6402 Ripper Bedder

Ref #	Part Number	Description	Qty
1	L50014895	Hitch Weld.	1
2	L50014892	Mast Clamp Weld.	8
3	L7604042	Bushing Cat. III	2
4	L7604041	Bushing Cat. II	2
5	L6408029	Lift Pin	2
6	L6404018	Bushing	1
7	617-105	Klik Pin	2
8	602-1618Z	Capscrew 1" x 4 1/2" Gr. 5	1
9	615-1601Z	Lockwasher 1"	1
10	611-1601Z	Hex Nut 1"	1
11	602-1238Z	Capscrew 3/4" x 9 1/2" Gr. 5	16
12	615-1200Z	Lockwasher 3/4"	16
13	611-1201Z	Hex Nut 3/4"	16



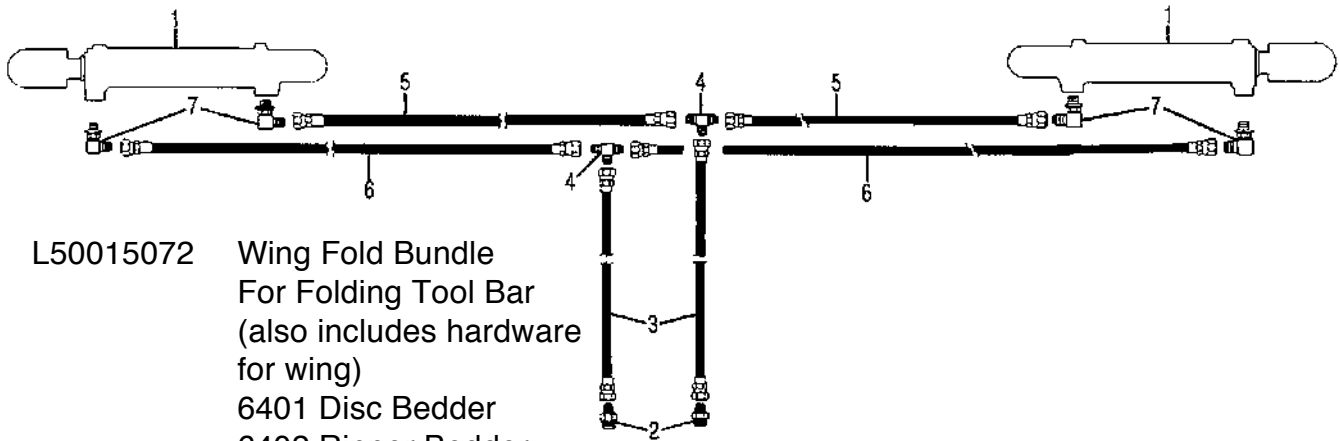
L50016361 Center Folding Tool Bar  
6401 Disc Bedder  
6402 Ripper Bedder

Ref #	Part Number	Description	Qty	Ref #	Part Number	Description	Qty
1	L50016363	Center Bar Weldment w/ Decals	1	18	L50015166	Stop	2
2	L50014969	Mast Weldment	1	19	602-0808Z	Capscrew 1/2 x 2"	4
3	L50014978	Hinge Pin Weldment	2	20	615-0800Z	Lockwasher 1/2"	4
4	L6406008	Hitch Pin	2	21	L50015097	Shim .38 Thick	2
5	617-105	Klik Pin	2	22	399-047	Warning Decal	1
6	602-1618Z	Capscrew 1 x 4-1/2" Gr.5	1	23	399-041	Warning Decal	2
7	L6404018	Bushing	1	24	L50014892	Mast Clamp Weldment	8
8	615-1600Z	Lockwasher 1"	1	25	602-1238Z	Capscrew 3/4 x 9-1/2" Gr.5	20
9	611-1601Z	Hex Nut 1"	1	26	615-1200Z	Lockwasher 3/4"	20
10	602-2028Z	Capscrew 1-1/4 x 7"	2	27	611-1201Z	Hex Nut 3/4"	20
11	611-2001Z	Hex Nut 1-1/4"	2	28	L50016350	Mast Support	1
12	L16044000	Lockwasher 1-1/4"	2	29	L50016352	Clamp Pad	1
13	616-2000	Flatwasher 1-1/4"	2	30	602-1422Z	Capscrew 7/8 x 5-1/2" Gr.5	1
14	50014975	Hinge Washer	2	31	611-1401Z	Hex Nut 7/8"	1
15	614-2007	Castle Nut 1-1/4"	2	32	615-1400Z	Lockwasher 7/8"	1
16	617-025	Cotter Pin 3/16 x 2-1/4"	2	33	L50016354	Spacer	1
17	L50015167	Shim .0369 Thick	16				



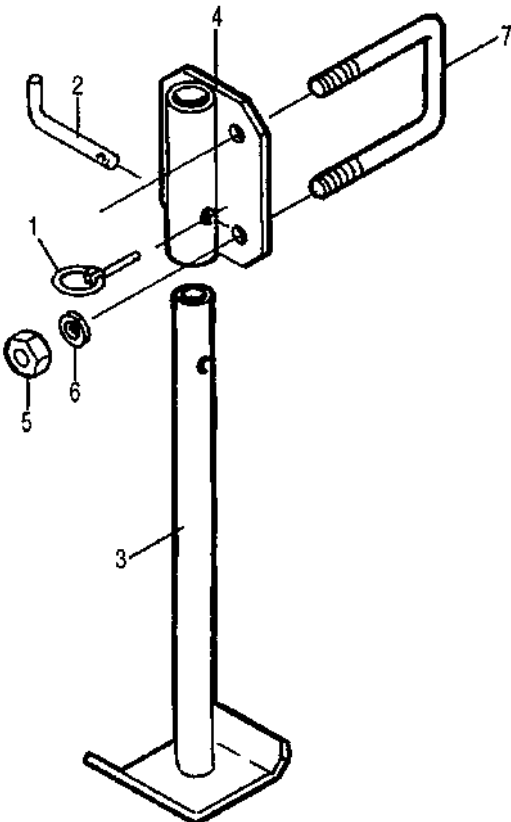
L50015165 Wing Frame  
 L50015072 Wing Frame Hardware Bundle  
 Includes Items 2-10. (along with hydraulic components)  
 6401 Disc Bedder  
 6402 Ripper Bedder

Ref #	Part Number	Description	Qty	Ref #	Part Number	Description	Qty
1	L50015165	Wing Frame	1	10	617-106	Pin	4
2	L50015164	Wing Cylinder Bar	1		L50014983	Wing Clamp Assy. (Items 11-16)	1
3	L50014986	Transport Latch	1	11	L50014981	Clamp Plate	2
4	L50014989	Transport Pin (Short)	1	12	L50014982	Clamp Weldment	1
5	L50014990	Transport Pin (Long)	1	13	602-1238Z	Capscrew 3/4" x 9-1/2" Gr.5	4
6	L50001202	Wing Lock Pin	1	14	602-1230Z	Capscrew 3/4" x 7-1/2" Gr.5	4
7	617-105	Klik Pin	6	15	615-1200Z	Lockwasher 3/4"	8
8	L50017496	Hyd. Cylinder	1	16	611-1201Z	Hex Nut 3/4"	8
9	617-165	Clevis Pin	2				



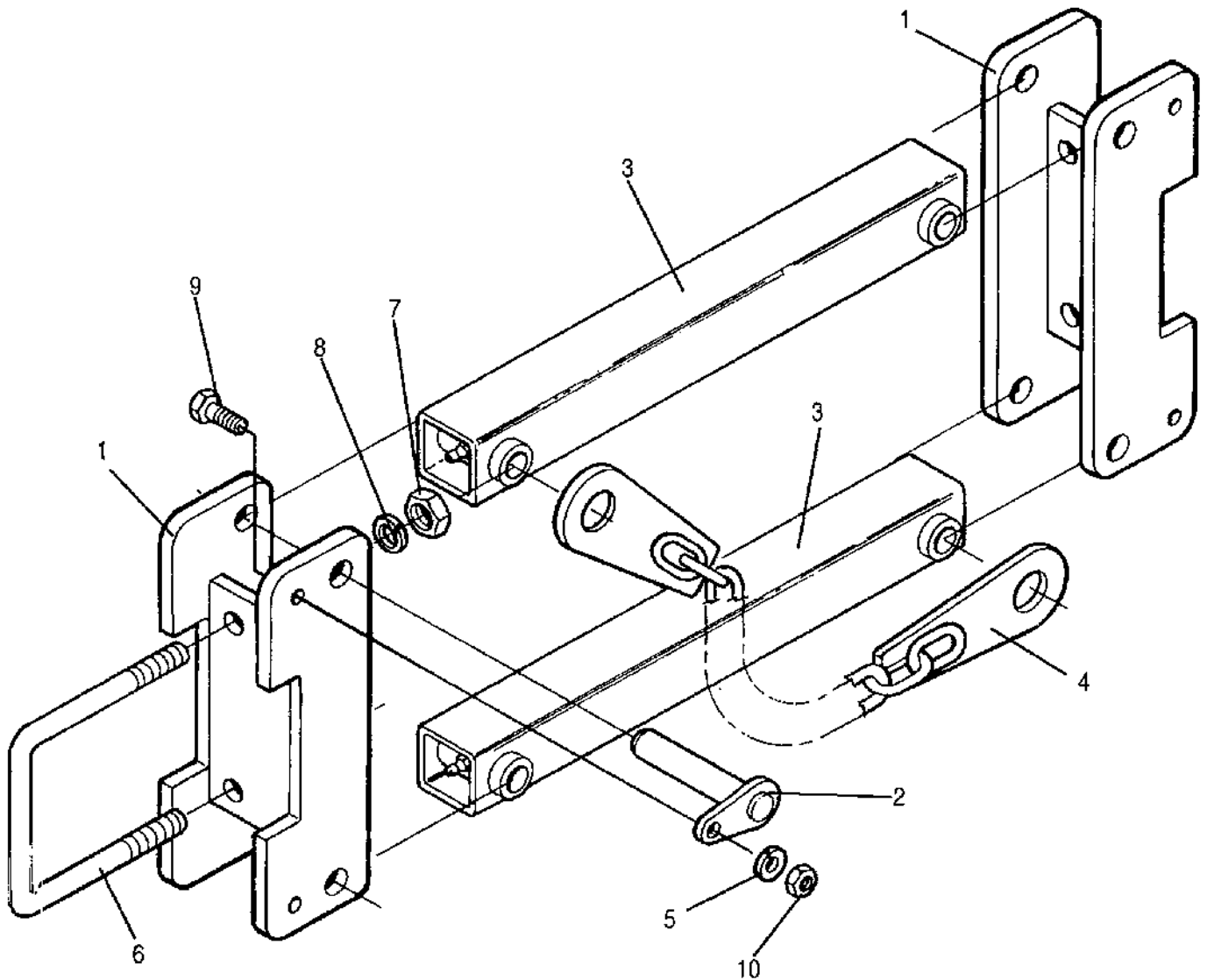
L50015072 Wing Fold Bundle  
For Folding Tool Bar  
(also includes hardware  
for wing)  
6401 Disc Bedder  
6402 Ripper Bedder

Ref #	Part Number	Description	Qty
1	L50017496	Hydraulic Cylinder	2
2	L24-6-434	Adaptor 1/2" NPT to 9/16" JIC	2
	L53340	Adaptor 3/4" SAE to 9/16" JIC	2
3	L25H41711	Hyd. Hose 9/16" JIC Female 56"	2
4	L53339	Tee 9/16" JIC Male	2
5	L53329	Hyd. Hose 9/16" JIC Female 72"	2
6	L17-0-12	Hyd. Hode 9/16" JIC Female 86"	2
7	L14-40-98	Elbow 90° 3/4" SAE-ORB to 9/16" JIC	4



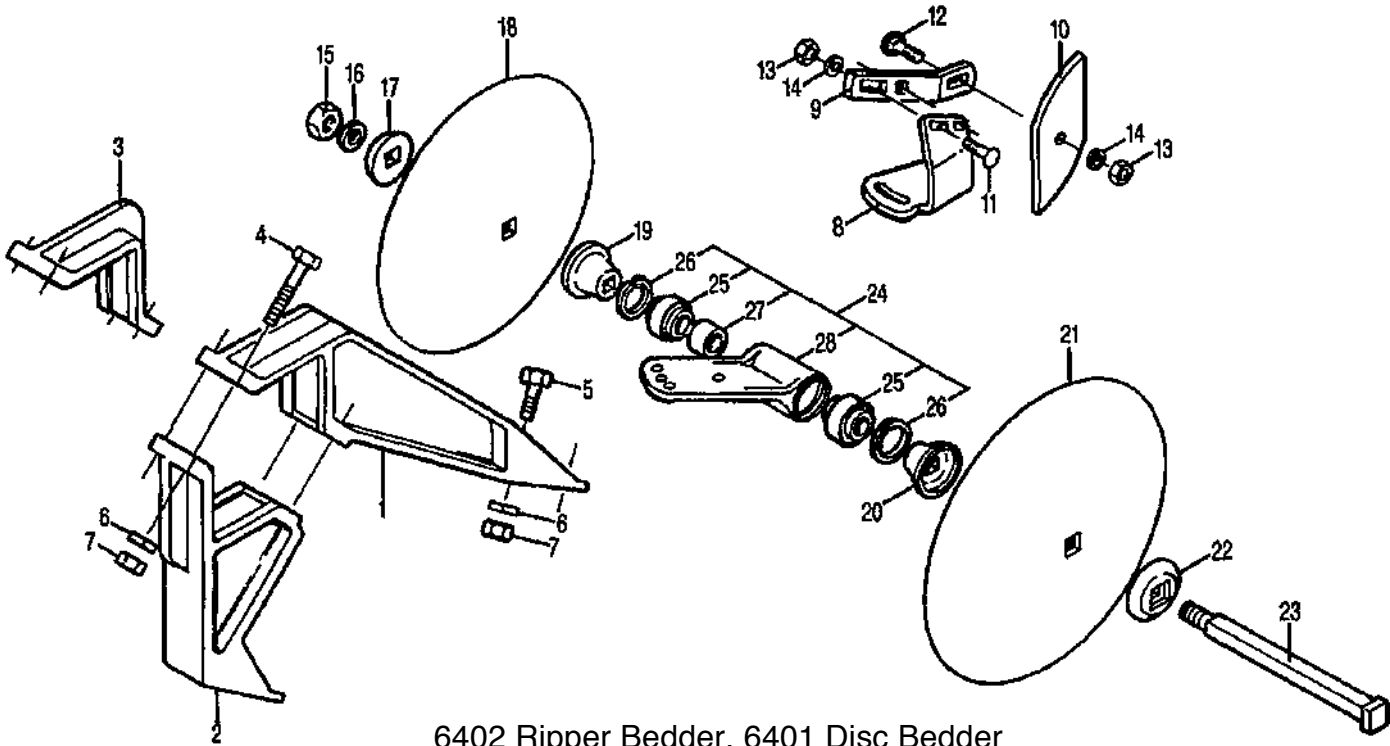
L50012573 Pipe Stands (Pair)  
For 2 Row Model  
6401 Disc Bedder

Ref #	Part Number	Description	Qty
	L6499032	Pipe Stand Assy.	1
1	L2050001	Klik Pin	1
2	L1506023	Jack Pin	1
3	L2008050	Jack Leg	1
4	L6408007	Jack Support	1
5	611-1001Z	Hex Nut 5/8"	4
6	L6406012	Lockwasher 5/8"	4
7	615-1000Z	U-Bolt, 5/8" for 7 x 7" Bar	2



L50015364 Parallel Link Assembly  
6402 Ripper Bedder

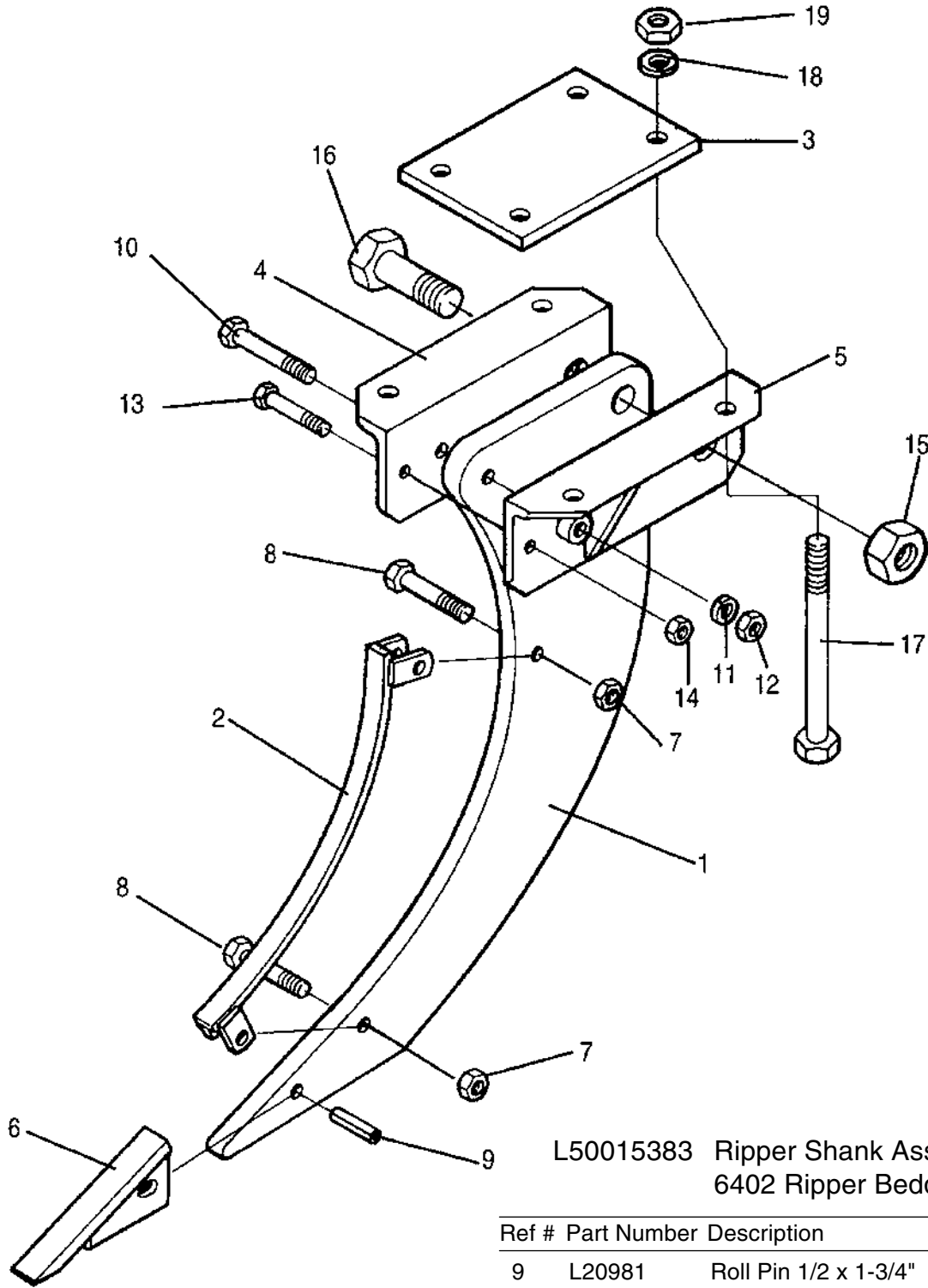
Ref #	Part Number	Description	Qty
1	L50015368	Mount Weldment	2
2	L50015369	Pin Weldment	4
3	L50015376	Link Tube Weld. w/ Grease Fitting	2
	617-009	Grease Fitting	2
4	L50015377	Chain Weldment	1
5	615-0800Z	Lockwasher 1/2"	4
6	L50004055	U - Bolt 7/8"	4
7	611-1401Z	Hex Nut 7/8"	8
8	615-1400	Lockwasher 7/8"	8
9	602-0806Z	Capscrew 1/2" x 1-1/2" Gr. 5	4
10	611-0801Z	Hex Nut 1/2"	4



6402 Ripper Bedder, 6401 Disc Bedder  
 Disc Arms, Disc Gang & Scrapers  
 Model Year 1993-Current

- L50015111 Arms For 1 Row Add On. Includes Items 1,2, 4-7.
- L50016172 Disc Gang Assembly (18 & 20") Includes items 15-24.
- L50016171 Disc Gang Assembly (16 & 18") Includes items 15-24.
- L50014930 Scraper Bundle (1 Row) Includes Items 8-14.

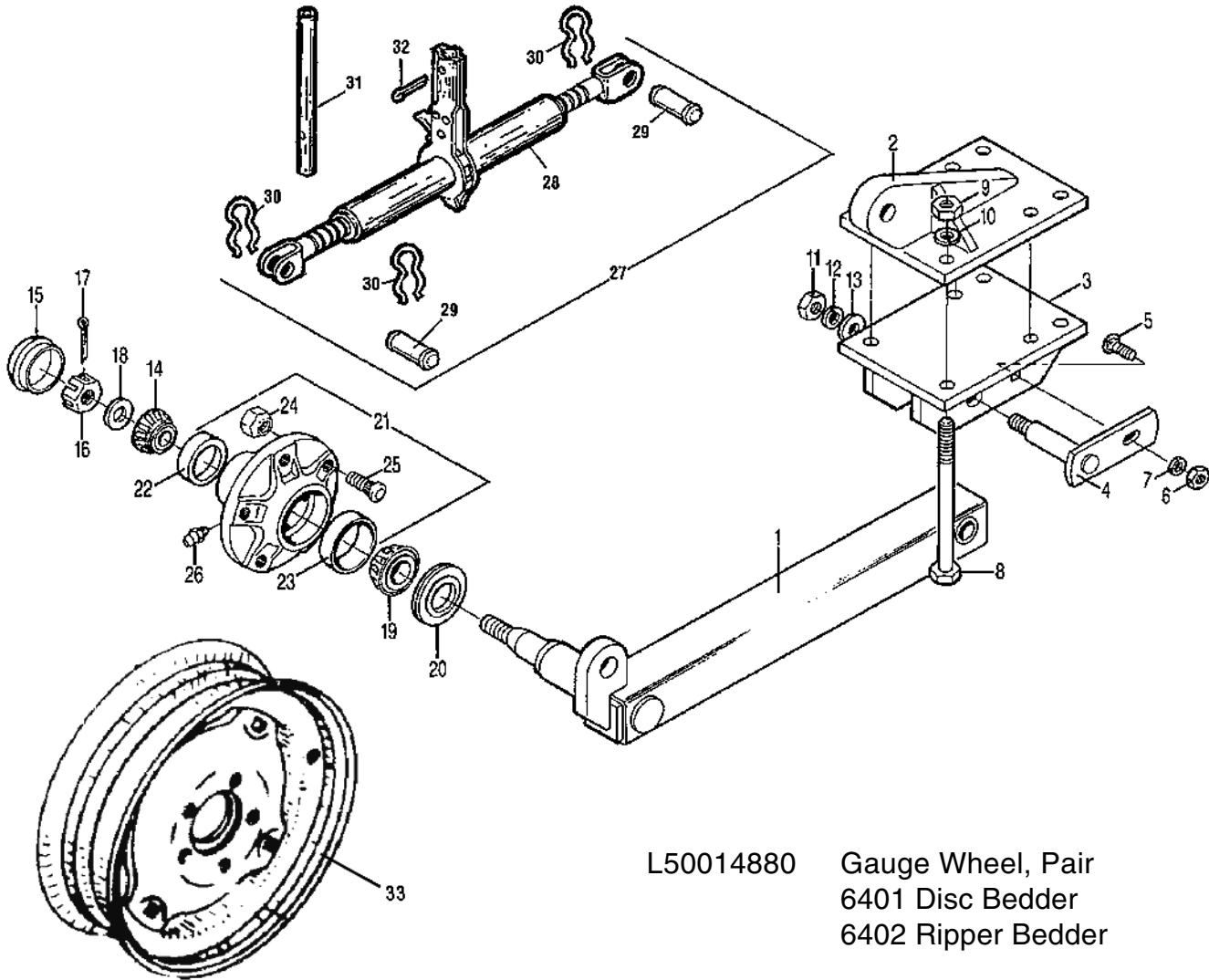
Ref #	Part Number	Description	Qty	Ref #	Part Number	Description	Qty
1	L50014913	Rear Disc Arm	A/R	16	L15813	Lockwasher 1"	1
2	L50014914	Front Disc Arm	A/R		615-1800	Lockwasher 1-1/8" (Model Year 2001-Current)	1
3	L50014915	Clamp	A/R	17	L16-1-12	Nut Washer	1
4	602-1018Z	Capscrew 5/8" x 4-1/2" Gr.5	A/R	18	L7950003	Disc Blade 18"	1
5	602-1011Z	Capscrew 5/8" x 2-3/4" Gr.5	A/R		L50014877	Disc Blade 16"	1
6	615-1000Z	Lockwasher 5/8"	A/R	19	L16-1-3	Back Side Spacer	1
7	611-1001Z	Hex Nut 5/8"	A/R	20	L50016170	Inner Bearing Spool	1
8	L50014926	Scraper Arm Bracket R.H.	A/R	21	L7950003	Disc Blade 18"	1
	L50014927	Scraper Arm Bracket L.H. (Shown)	A/R		L50016169	Disc Blade 20"	1
9	L50014929	Scraper Arm	A/R	22	L7900003	Bumper Washer	1
10	L50014928	Scraper Blade	A/R	23	L50014874	Gang Bolt (Replaced by 610-0050)	1
11	604-0806Z	Carriage Bolt 1/2" x 1-1/2" Gr.5	2		610-0050	Gang Bolt (Model Year 2001)	1
12	604-0805Z	Carriage Bolt 1/2" x 1-1/4" Gr.5	1	24	L50014875	Bearing Housing Assembly	1
13	611-0801Z	Hex Nut 1/2"	3	25	622-057	Bearing	2
14	615-0800Z	Lockwasher 1/2"	3	26	627-010	Bearing Ring	2
15	L9163200	Locknut 1"	1	27	L50014873	Bearing Spacer	1
	611-1801Z	Hex Nut 1-1/8" (Model Year 2001)	1	28	L50003047	Bearing Housing- Casting	1



L50015383 Ripper Shank Assembly  
6402 Ripper Bedder

Ref #	Part Number	Description	Qty
1	L50015363	Shank	1
2	L50015373	Wear Strip	1
3	L50015388	Plate	1
4	L50015401	R.H. Angle Mount	1
5	L50015400	L.H. Angle Mount	1
6	L50015380	Shank Tip Weldment	1
7	613-0801Z	Locknut 1/2"	2
8	602-0808Z	Capscrew 1/2 x 2" Gr. 5	2

Ref #	Part Number	Description	Qty
9	L20981	Roll Pin 1/2 x 1-3/4"	1
10	601-0814Z	Shear Bolt 1/2 x 3-1/2" Gr.2	1
11	615-0800Z	Lockwasher 1/2"	1
12	611-0801Z	Hex Nut 1/2"	1
13	602-1012Z	Capscrew 5/8 x 3" Gr. 5	1
14	613-1001Z	Locknut 5/8"	1
15	L15521	Locknut 1 1/4"	1
16	602-2014Z	Capscrew 1-1/4 x 3-1/2" Gr.5	1
17	602-1238Z	Capscrew 3/4 x 9-1/2" Gr.5	4
18	615-1200Z	Lockwasher 3/4"	4
19	611-1201Z	Hex Nut 3/4"	4

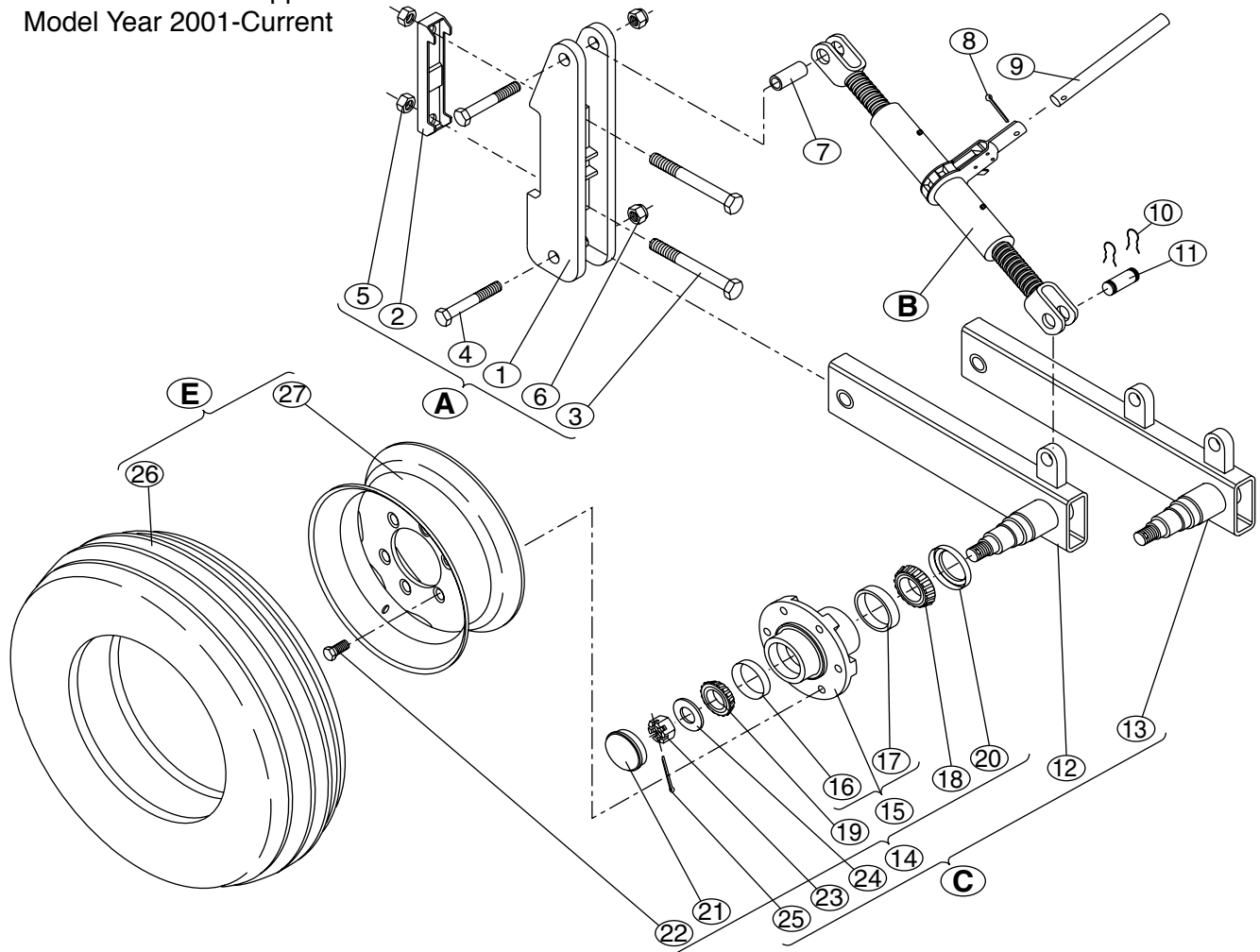


L50014880 Gauge Wheel, Pair  
6401 Disc Bedder  
6402 Ripper Bedder

Ref #	Part Number	Description	Qty	Ref #	Part Number	Description	Qty
	L50014901	L.H. Gauge Wheel Assy.	1	16	614-1207C	Castle Nut 3/4"	1
	L50014902	R.H. Gauge Wheel Assy.	1	17	617-017	Cotter Pin 1/8 x 2"	1
		Shown; Includes items 1-26.		18	L119	Flatwasher 3/4" SAE	1
1	L50014887	R.H. Wheel Arm (Shown)	1	19	622-007	Inner Bearing Cone	1
	L50014886	L.H. Wheel Arm (Opposite)	1	20	L7967	Seal	1
2	L50014883	Top Mount Weldment	1	21	-----	Hub Assy. (Not Supplied)	1
3	L50014881	Bottom Mount Weld.	1	22	622-002	Bearing Cup Outer	1
4	L50006957	Pin	1	23	622-006	Bearing Cup Inner	1
5	604-0605Z	Carriage Bolt 3/8 x 1-1/4" Gr. 5	1	24	L15515	Lug Nut	5
6	611-0601Z	Hex Nut 3/8"	1	25	L15445	Lug Bolt	5
7	615-0600Z	Lockwasher 3/8"	1	26	617-009	Grease Fitting	1
8	602-1036Z	Capscrew 5/8 x 9" Gr. 5	4	27	L1817	Ratchet Assy.	1
9	611-1001Z	Hex Nut 5/8"	4	28	705-080	Ratchet Jack Body	1
10	615-1000Z	Lockwasher 5/8"	4	29	617-160	Clevis Pin	2
11	611-1201Z	Hex Nut 3/4"	1	30	617-107	Hairpin	2
12	615-1200Z	Lockwasher 3/4"	1	31	617-110	Handle	1
13	616-1200Z	Flatwasher 3/4"	1	32	617-026	Cotter Pin	1
14	622-001	Outer Bearing Cone	1	33	L77	Wheel	2
15	L121	Hub Cap	1				

Front Gauge Wheels  
Disc Bedder and Ripper Bedder  
Model Year 2001-Current

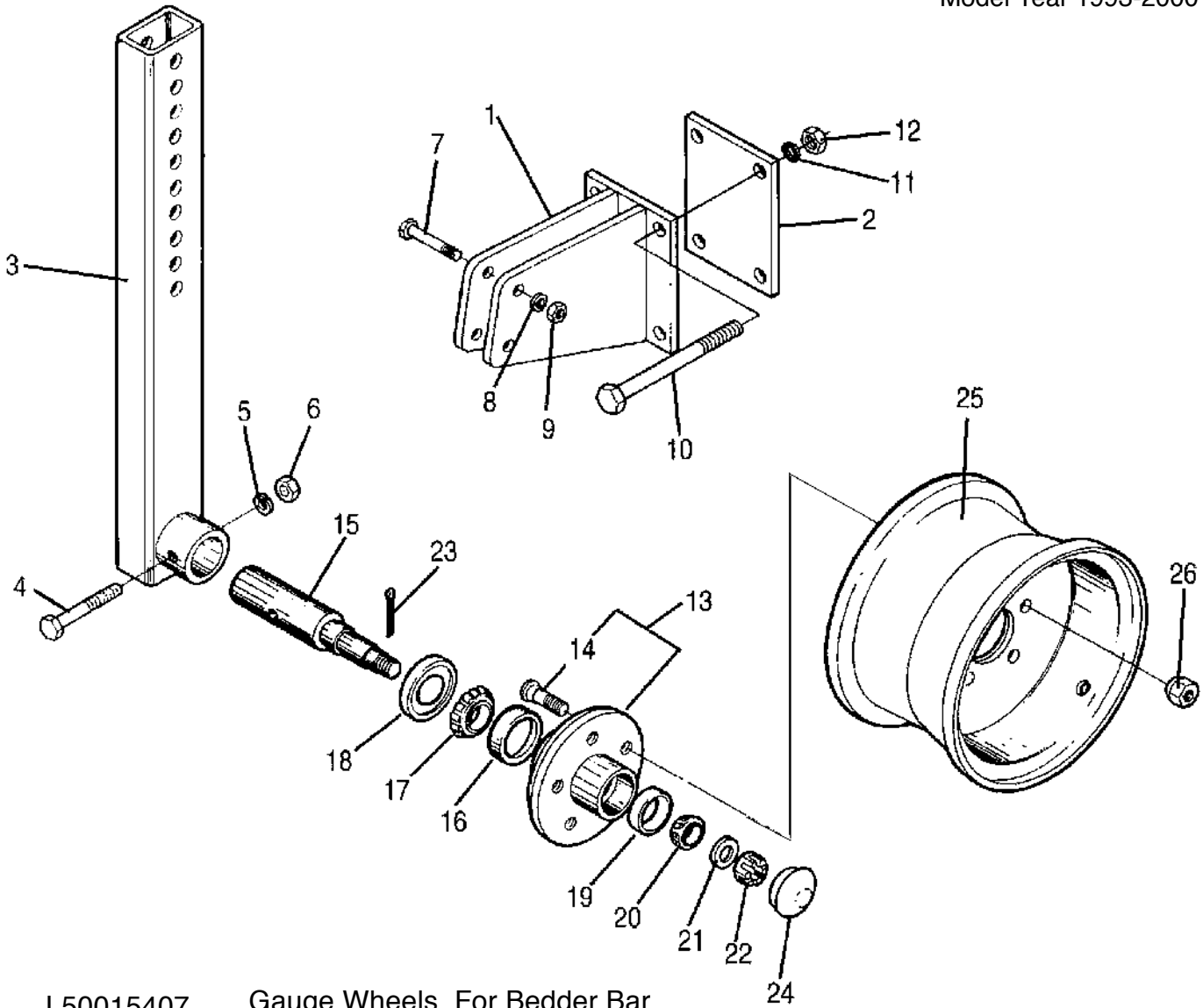
BIGHAM BROTHERS, INC.



805-779L Gauge Wheels, 7x7 Bar with 5" Rims  
805-779 Gauge Wheels, 7x7 Bar with 7.60 Tires  
6402 Ripper Bedder  
For Model Year 2001-Current

805-777 Gauge Wheels, 7x7 Bar  
with 9.5L Tires/30" Arms  
6401 Disc Bedder  
For Model Year 2003-Current

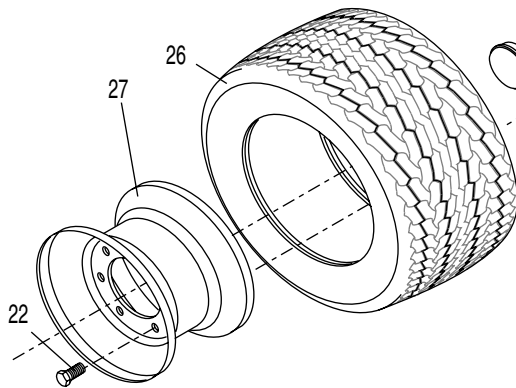
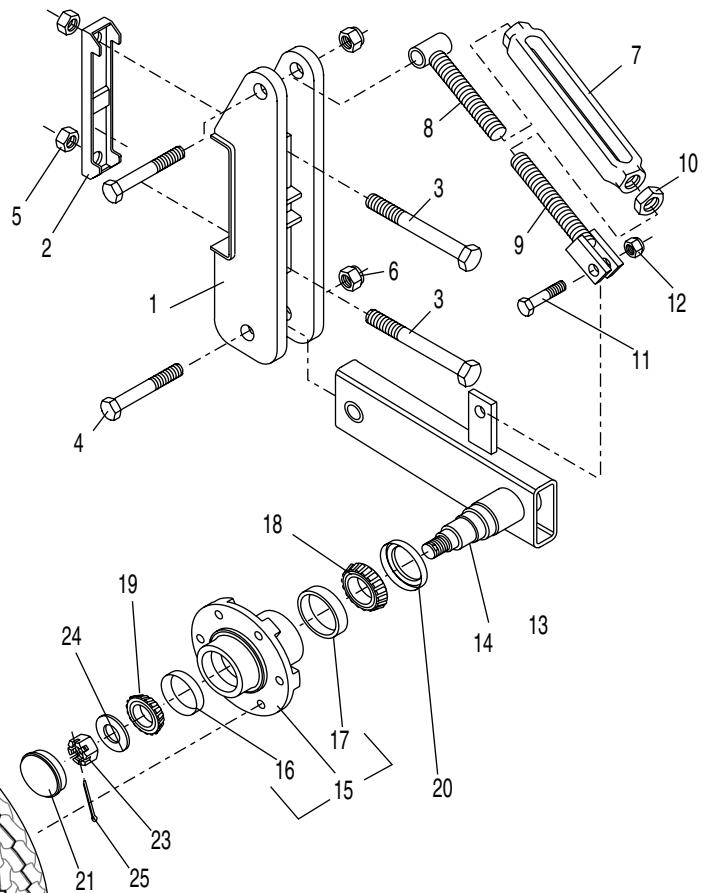
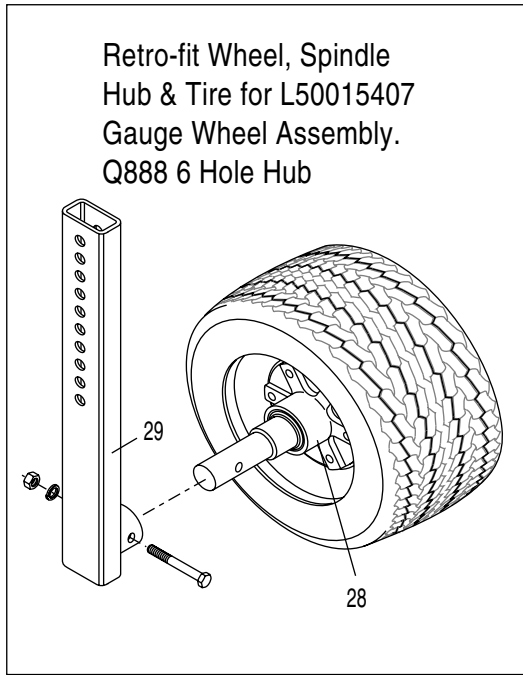
Ref #	Part Number	Description	Qty	Ref #	Part Number	Description	Qty
<b>A</b>	<b>805-107</b>	<b>Mount Assy., 7x7" Gauge Wheel</b>	<b>1</b>	12	705-019R	Shank/Spindle Wlmt., RH-Pict	1
1	705-070	Bracket, Gauge Wheel 7"	1	760-702	Shank/Spindle, LH 30" Arm		1
2	628-308	Cap, 7" Bar 1" Bolt Hole	1	760-703	Shank/Spindle, RH 30"-Pict		1
3	609-1438Z	Bolt, HMB 7/8 x 9-1/2" Gr. 2	2	13	627-160	Hub Assy., 6 Hole Q888	1
4	601-1218Z	Bolt, HCS 3/4 x 4-1/2" Gr. 2	2	14	627-159	Hub/Cups Q888	1
5	611-1401Z	Nut, Hex ZP 7/8"	2	15	622-006	Outer Cup	1
6	613-1200Z	Nut, Hex Nylock ZP 3/4"	1	16	622-008	Inner Cup	1
<b>B</b>	705-080	Ratchet Jack, Gauge Wheel	1	17	622-009	Inner Bearing	1
7	617-250	Bushing, Clevis Std. G.W. Jack	1	18	622-007	Outer Bearing	1
8	617-026	Pin, Cotter 1/4 x 2"	1	19	623-002	Grease Seal	1
9	617-110	Tube, 7/8 x 12"- Handle	1	20	627-560	Dust Cap, 6 Hole Hub (Q888)	1
10	617-107	Hairpin, 3/16 x 2"	2	21	607-0805Z	Bolt, Lug 1/2x1-1/4" 3/4 Head	6
11	617-160	Pin, Clevis ZP 1 x 2"	1	22	614-1407	Nut, Hex Slotted 7/8" N.F.	1
<b>C</b>	<b>705-020L</b>	<b>Shank/Hub Assy., LH</b>	<b>1</b>	23	616-1400	Bushing, Machine 14 Ga. 7/8"	1
	<b>705-020R</b>	<b>Shank/Hub Assy., RH-Pictured</b>	<b>1</b>	24	617-020	Pin, Cotter 5/32 x 1-1/2"	1
	<b>760-712</b>	<b>Shank/Hub Assy., LH 30"</b>	<b>1</b>	<b>E</b>	<b>705-001</b>	<b>Wheel/Tire, 6 Hole 7.60x15"</b>	<b>2</b>
	<b>760-713</b>	<b>Shank/Hub Assy., RH-30"Pictured</b>	<b>1</b>	25	627-570	Tire, 7.60 x 15"	1
12	705-019L	Shank/Spindle Wlmt., LH	1	26	627-456	Wheel, 6 Hole 15 x 5KB	1



L50015407 Gauge Wheels For Bedder Bar  
6402 Ripper Bedder  
Model Year 1993-2000

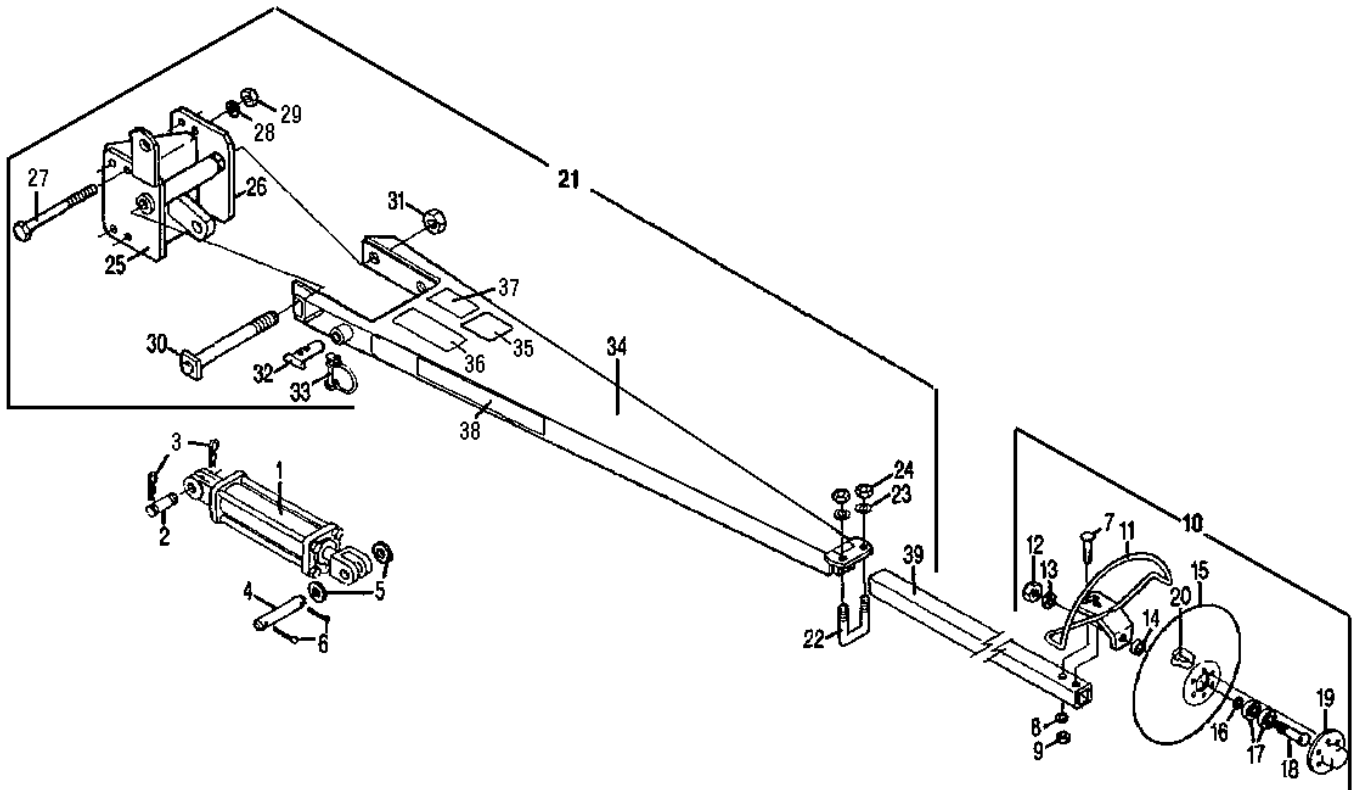
Ref #	Part Number	Description	Qty	Ref #	Part Number	Description	Qty
1	L50015389	Bracket Weldment	1	14	L84430	Wheel Bolt	5
2	L50015390	Bracket Base	1	15	L69415	Gauge Wheel Spindle	1
3	L83565	Adjusting Tube Weldment	1	16	L69499	Bearing Cup (Inner)	1
4	602-0612Z	Capscrew 3/8 x 3" Gr.5	1	17	L69406	Bearing Cone (Inner)	1
5	615-0600Z	Lockwasher 3/8"	1	18	L69501	Seal	1
6	611-0601Z	Hex Nut 3/8"	1	19	622-016	Bearing Cup (Outer)	1
7	602-1016Z	Capscrew 5/8 x 4" Gr.5	2	20	L69407	Bearing Cone (Outer)	1
8	615-1000Z	Lockwasher 5/8"	2	21	L119	Flatwasher 3/4"	1
9	611-1001Z	Hex Nut 5/8"	2	22	614-1207C	Slotted Nut 3/4" NF	1
10	602-1238Z	Capscrew 3/4" x 9-1/2" Gr.5	4	23	617-017	Cotter Pin 1/8 x 2"	1
11	615-1200Z	Lockwasher 3/4"	4	24	L69502	Hub Cap	1
12	611-1201Z	Hex Nut 3/4"	4	25	**	Gauge Wheel Rim	1
13	L69138**	Wheel and Spindle Assy.	1	26	L15515	Hex Nut 1/2" NF	5
	**	Hub w/ Bolts	1				

\*\* No longer supplied. See next page for retrofit replacement if hub or wheel is required



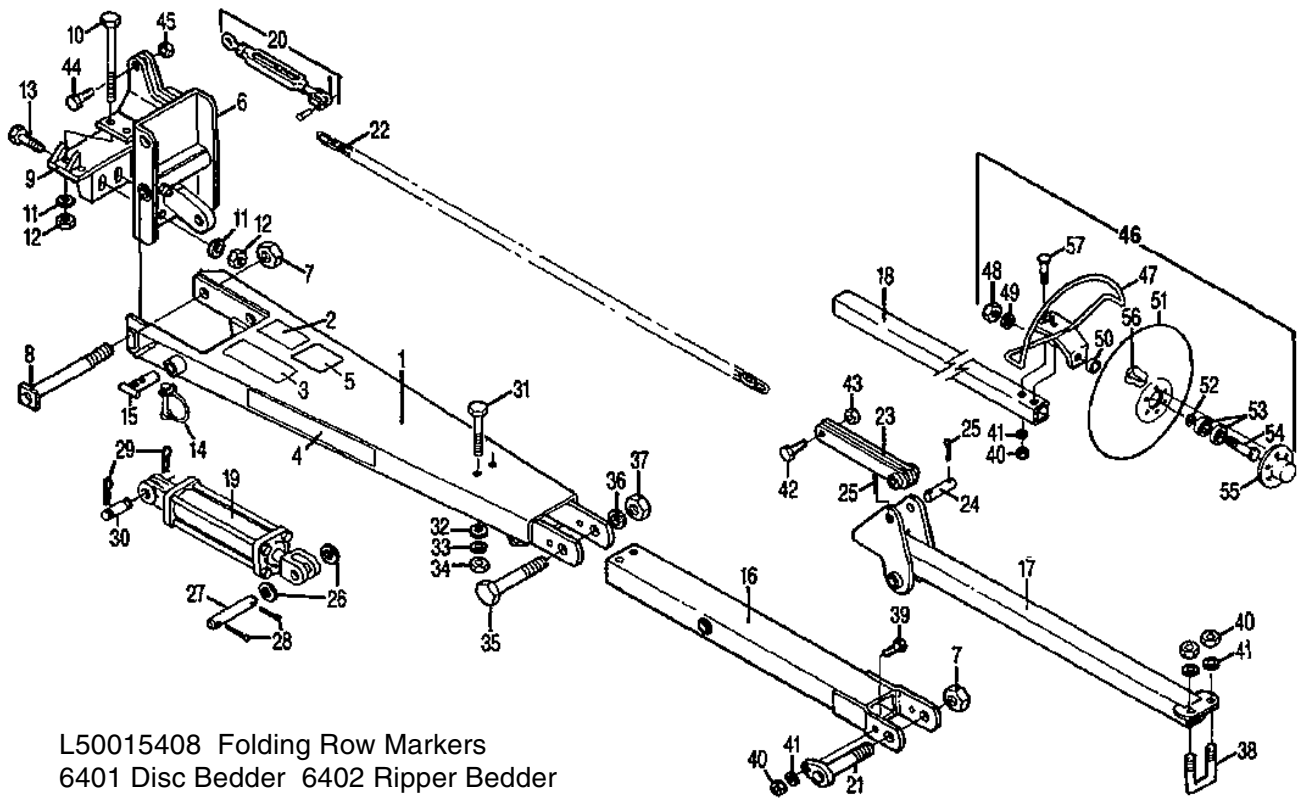
**805-209 Gauge Wheels For Bedder Bar  
6402 Ripper Bedder  
Model Year 2001-Current**

Ref #	Part Number	Description	Qty	Ref #	Part Number	Description	Qty
	<b>805-107</b>	<b>Mount Assy., 7 x 7"</b>	-	14.	627-262	Spindle, G.W. Q888	-
1.	705-070	Mount Bkt., 7"	1		627-160	Hub Assy., 6 Hole Q888	-
2.	628-308	Cap, Cast 7" HD	1			Includes items 15-22	
3.	609-1438Z	Bolt, HMB ZP 7/8 x 9-1/2"	2	15.	627-159	Hub/Cups., 6 Hole Q888	1
4.	601-1218Z	Bolt, HCS ZP 3/4 x 4-1/2"	2	16.	622-006	Outer Bearing Cup	-
5.	611-1401Z	Nut, Hex ZP 7/8"	2	17.	622-008	Inner Bearing Cup	-
6.	613-1200Z	Nut, Hex Nylock ZP 3/4"	2	18.	622-009	Inner Bearing Cone	1
	<b>705-087</b>	<b>Turnbuckle, 1 x 6" G.W.</b>	-	19.	622-007	Outer Bearing Cone	1
7.	301-350	Body, Turnbuckle 1 x 6" ZP	1	20.	623-002	Seal	1
8.	617-094	Stud, 1 x 5-3/4" LH ZP	1	21.	627-560	Hub Cap	1
9.	617-095	Stud, 1 x 5-3/4" RH ZP	1	22.	607-0805Z	Bolt, Lug ZP 1/2 x 1-1/4"	6
10.	614-1601Z	Nut, Hex Jam 1" ZP	1	23.	614-1407	Nut, Hex Slotted 7/8" N.F.	1
11.	601-1011Z	Bolt, HCS ZP 5/8 x 2-3/4"	1	24.	616-1400	Bushing, Mach. 7/8" x 14 Ga.	1
12.	613-1005Z	Nut, Hex Nylock ZP 5/8"	1	25.	617-020	Pin, Cotter 5/32 x 1-1/2"	1
	<b>705-022L</b>	<b>Shank/Hub Assy. LH</b>	<b>1</b>		705-006	Wheel & Tire, 20.5 x 8.0-10	2
	<b>705-022R</b>	<b>Shank/Hub Assy. RH</b>	<b>1</b>	26.	627-575	Tire, 20.5x8.0-10 Ply	1
		<b>(Pictured)</b>		27.	627-480	Wheel, 6 Hole 10x6"	1
13.	705-021L	Shank/Spindle, LH	1	<b>28.</b>	<b>L69888</b>	<b>Wheel, Spindle, Hub &amp; Tire</b>	
	705-021R	Shank/Spindle, RH (Pictured)	1		<b>L69890</b>	<b>Wheel, Spindle &amp; Hub (No Tire)</b>	
				29.	L83565	Adjusting Tube Weldment	1



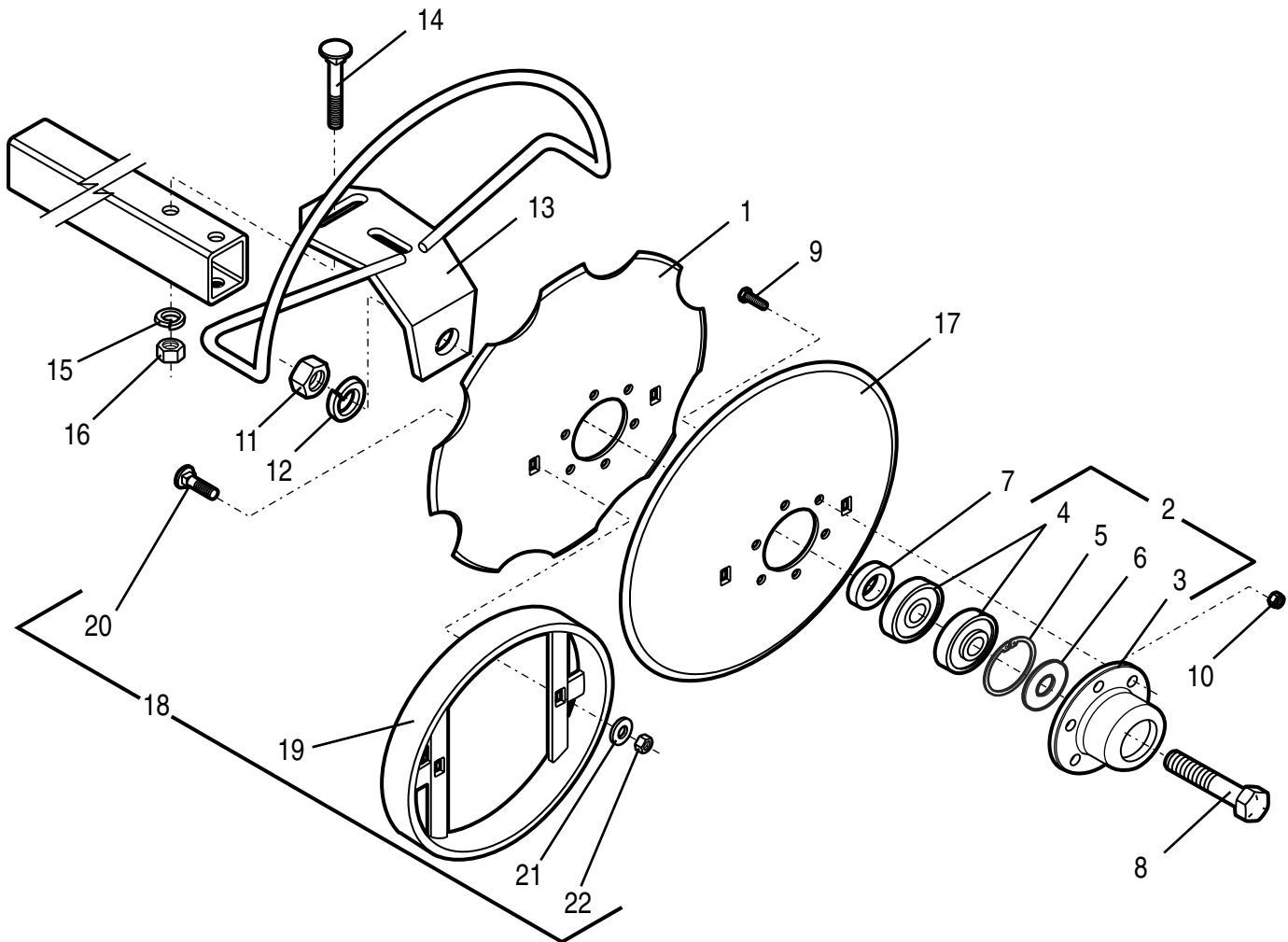
L50015409 Rigid Row Marker 6 Row Wide; 8 Row Narrow  
 L50015410 Rigid Row Marker, Four Row  
 6401 Disc Bedder  
 6402 Ripper Bedder

Ref #	Part Number	Description	Qty
1	L50017492	Hydraulic Cylinder Assy.	1
2	617-162	Clevis Pin	1
3	617-106	Pin	2
4	L50014942	Cylinder Pin	1
5	616-1605Z	Flatwasher 1"	2
6	L15474	Cotter Pin 1/4 x 1-3/4"	2
7	604-0612Z	Carriage Bolt 3/8" x 3" Gr.5	2
8	615-0600Z	Lockwasher 3/8"	2
9	611-0601Z	Hex Nut 3/8"	2
10	L50015058	Disc Assy.	1
11	L50014922	Disc Bracket	1
12	611-1201Z	Hex Nut 3/4"	1
13	615-1200Z	Lockwasher 3/4"	1
14	L2004100	Spacer 1-1/8 x 3/4 x 1/2" Thick	1
15	L46610193	Disc	1
16	L1561108	"O" Ring	1
17	L2050094	Bearing	2
18	L2050127	Axle Bolt	1
19	L50008897	Hub	1
20	L50008857	Rivet	6
21	L50015074	Rigid Marker Assy. (6 Row)	1
	L50015311	Rigid Marker Assy. (4 Row)	1
22	L50008895	"U" Bolt 3/8"	1
23	615-0600Z	Lockwasher 3/8"	2
24	611-0601Z	Hex Nut 3/8"	2
25	L50014951	Clamp Weldment	1
26	L50014948	Mounting Plate	1
27	602-1236Z	Capscrew 3/4" x 9"	4
28	615-1200Z	Lockwasher 3/4"	4
29	611-1201Z	Hex Nut 3/4"	4
30	L50014925	Pivot Pin Weldment	1
31	613-1600Z	Locknut 1"	1
32	L50014933	Pin, Transport	1
33	L2450019	Retainer	1
34	L50015114	Rigid Arm w/ Decals (6 Row)	1
	L50015315	Rigid Arm w/ Decals (4 Row)	1
35	50015101	Warning Decal	2
36	50015102	Warning Decal	1
37	50015103	Warning Decal	1
38	399-009	Logo Decal	1
39	L50014941	Tube (6 Row)	1
	L50015310	Tube (4 Row)	1



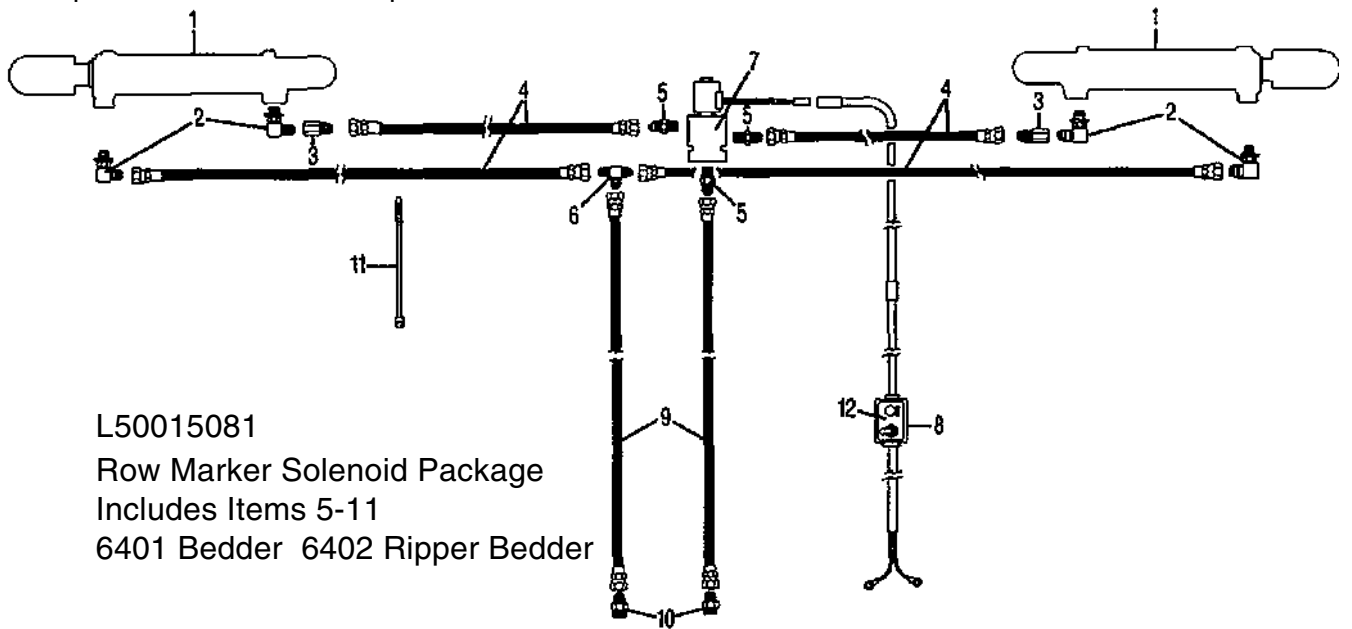
L50015408 Folding Row Markers  
6401 Disc Bedder 6402 Ripper Bedder

Ref #	Part Number	Description	Qty	Ref #	Part Number	Description	Qty
1	L50015115	Arm w/ Decals	1	30	617-162	Clevis Pin	1
2	399-043	Warning Decal	1	31	602-0818Z	Capscrew 1/2" x 4-1/2" Gr.5	2
3	399-044	Warning Decal	1	32	616-0800Z	Flatwasher 1/2"	2
4	399-009	Logo Decal	1	33	615-0800Z	Lockwasher 1/2"	2
5	399-045	Warning Decal	2	34	611-0801Z	Hex Nut 1/2"	2
6	L50015034	Marker Mount	1	35	602-1626Z	Capscrew 1" x 6-1/2" Gr.5	1
7	613-1600Z	Locknut 1"	1	36	615-1601Z	Lockwasher 1"	1
8	L50014925	Pin Weld.	1	37	611-1601Z	Hex Nut 1"	1
9	L50015036	Bottom Clamp	1	38	L50008895	U-Bolt	1
10	602-1238Z	Capscrew 3/4 x 9-1/2" Gr.5	4	39	602-0606Z	Capscrew 3/8" x 1-1/2" Gr.5	1
11	615-1200Z	Lockwasher 3/4"	6	40	611-0601Z	Hex Nut 3/8"	5
12	611-1201Z	Hex Nut 3/4"	6	41	615-0600Z	Lockwasher 3/8"	5
13	602-1208Z	Capscrew 3/4 x 2"	2	42	602-0506Z	Capscrew 5/16" x 1-1/2" Gr.5	1
14	L2450019	Retainer Pin	1	43	613-0502Z	Locknut 5/16"	1
15	L50014933	Transport Pin	1	44	602-0806Z	Capscrew 1/2" x 1-1/2" Gr.5	1
16	L50015042	Extension Tube	1	45	613-0801Z	Locknut 1/2"	1
17	L50015025	Outer Arm	1	46	L50015058	Disc Assy.	1
18	L50015065	Tube	1	47	L50014922	Disc Bracket	1
19	L50017492	Hyd. Cylinder, Monarch	1	48	611-1201Z	Hex Nut 3/4"	1
20	L50003757	Turnbuckle Assy.	1	49	615-1200Z	Lockwasher 3/4"	1
21	L50015062	Pivot Pin Weld.	1	50	L2004100	Spacer 1/2 x 3/4 x 1-1/8"	1
22	L50015068	Chain (46 Link)	1	51	L46610193	Disc	1
23	L50015054	Link Weld.	1	52	L1561108	"O" Ring	1
24	L50015075	Pin	1	53	L2050094	Bearing	2
25	617-017	Cotter Pin 1/8 x 2"	2	54	L2050127	Axle Bolt	1
26	616-1605Z	Flatwasher	2	55	L50008897	Hub	1
27	L50014942	Cylinder Pin	1	56	L50008857	Rivet	6
28	L15474	Cotter Pin 1/4" x 1-3/4"	2	57	604-0612Z	Carriage Bolt 3/8 x 3" Gr. 5	2
29	617-106	Pin	2				



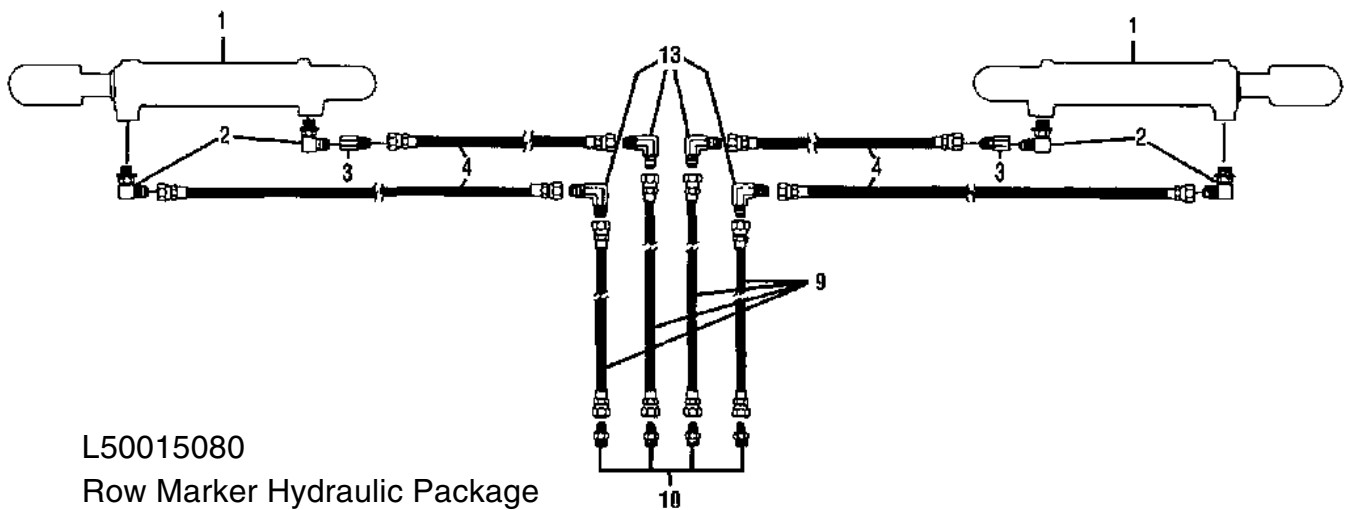
- L50015058 Disc Assy., 14" Smooth (Includes items 3-17) For Model Years
- L50015324 Disc Assy., 14" Notched (Includes items 1, 3-16) 2002-Current
- L50015326 Disc Assy., 14" Smooth with Depth Band (Includes items 3-17,19-22)
- L50015328 Disc Assy., 14" Notched with Depth Band (Includes items 1, 3-16, 19--22)

Ref #	Part Number	Description	Qty	Ref #	Part Number	Description	Qty
1	630-015	Blade, 14" Notched	1	12	615-1001Z	Lockwasher 5/8"	1
2	L50008905	Hub Assy.	1	13	L50014922	Disc Bracket	1
3	L50008903	Hub	1	14	604-0612Z	Carriage Bolt, 3/8 x 3"	2
4	622-075	Bearing	2	15	615-0600Z	Lockwasher, 3/8"	2
5	L2050095	Retaining Ring, 1.75	1	16	611-0601Z	Hex Nut, 3/8"	1
6	L2004100	Spacer 1-1/8 x 3/4 x 1/2" Thick	1	17	630-016	Blade, 14" Smooth	1
7	L2004100	Spacer 1-1/8 x 3/4 x 1/2" Thick	1	18	707-015	Depth Ring Assy.	1
8	602-1013Z	Capscrew, 5/8 x 3-1/4"	1	19	707-016	Depth Ring Wlmt.	1
9	601-0303Z	Capscrew, 6 x 20mm Gr. 10.8	6	20	604-0504Z	Carriage Bolt, 5/16 x 1"	2
10	614-0301Z	Hex Nylock Nut, 6mm	6	21	613-0500Z	Hex Nylock Nut, 5/16"	2

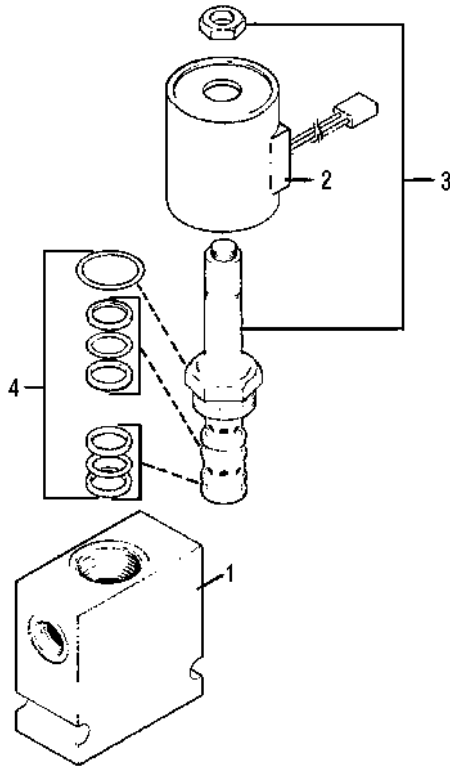


L50015081  
Row Marker Solenoid Package  
Includes Items 5-11  
6401 Bedder 6402 Ripper Bedder

Ref #	Part Number	Description	Qty	Ref #	Part Number	Description	Qty
1	L50017492	Hydraulic Cylinder Assy.	2	7	L50014188	Solenoid Valve Refer to illustration and parts list.	1
2	L53338	Elbow 90° 9/16"SAE/ ORB to 9/16"JIC	4	8	L50015067	Switch & Cable	1
3	L50015044	Restrictor 9/16" JIC Male / Female	2	9	L25H41711	Hyd. Hose 9/16" JIC 56"	2/4
4	L62431	Hyd. Hose 9/16" JIC; 190" Tool Bar	4	10	L53340	Adaptor 9/16" JIC-3/4" SAE-ORB	2/4
	L50015093	Hyd. Hose 9/16" JIC; 250" Tool Bar	4		L24-6-434	Adaptor 9/16" to 1/2" NPT	2/4
	L50015063	Hyd. Hose 9/16" JIC; 330" Tool Bar	4	11	L52161	Cable Ties	8
5	L3050137	Adaptor 9/16" JIC - 9/16" SAE O-Ring	3	12	L50015212	Switch Decal	1
6	L53339	Tee 9/16" JIC	1	13	L6050123	Elbow 90° 9/16" JIC Male	4



L50015080  
Row Marker Hydraulic Package  
Independent Operation  
Includes Items 9,10,11 & 13  
6401 Bedder 6402 Ripper Bedder



L50014188 Solenoid Valve  
For Solenoid Operated  
Row Markers  
6401 Disc Bedder  
6402 Ripper Bedder

Ref #	Part Number	Description	Qty
1	L50014582	Block	1
2	L50014584	Coil	1
3	L50014583	Cartridge	1
4	L50014585	Seal Kit	1

L50015081  
Row Marker Solenoid Package  
6401 Bedder 6402 Ripper Bedder

Ref #	Part Number	Description	Qty
1	614-0409Z	Wing Nut 1/4"	2
2	611-0401Z	Hex Nut 1/4"	2
3	615-0400Z	Lockwasher 1/4"	2
4	616-0400Z	Flatwasher 1/4"	2
5	602-0410Z	Capscrew 1/4 x 2-1/2" Gr. 5	2
6	50015059	"U"-Bolt 3/8"	1
7	615-0600Z	Lockwasher 3/8"	2
8	611-0601Z	Hex Nut 3/8"	2
9	L50015049	Solenoid Mount	1
10	L50015051	Shield	1
11	L50015059	Solenoid Valve	1

